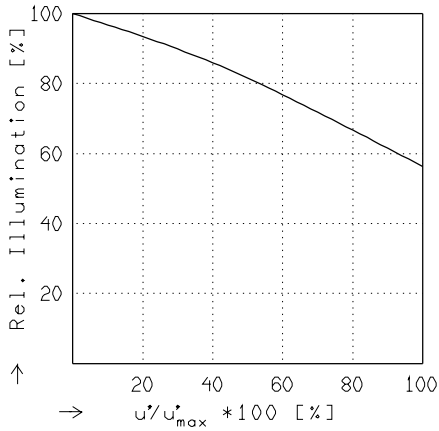
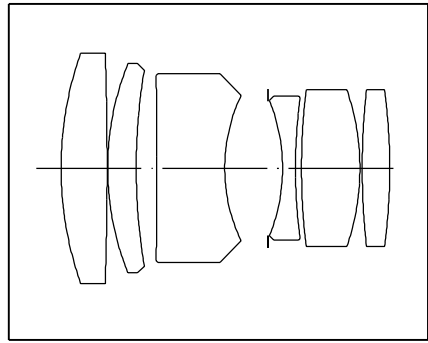


CL 2.0/72.5MM

$f' = 72.5 \text{ mm}$ $\beta_p' = 0.910$
 $s_F = -37.2 \text{ mm}$ $s_{EP} = 42.5 \text{ mm}$
 $s_{F'} = 47.3 \text{ mm}$ $s_{AP} = -18.7 \text{ mm}$
 $HH' = -7.1 \text{ mm}$ $\Sigma d = 53.4 \text{ mm}$

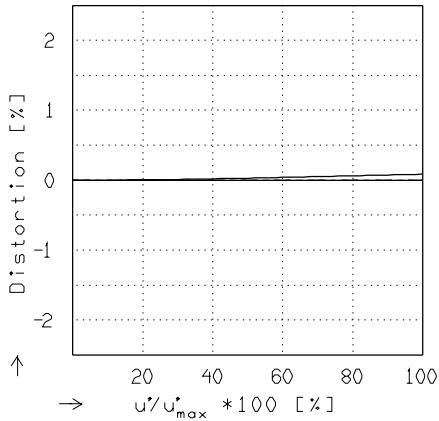


RELATIVE ILLUMINATION

The relative illumination is shown for the given focal distances or magnifications.

$f / 2.1$

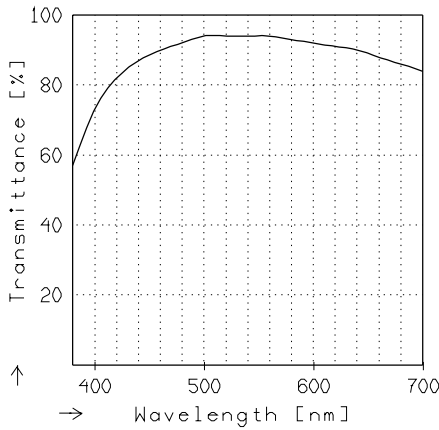
— $\beta' = 0.0000$ $u'_{max} = 13.9$ $00' = \infty$



DISTORTION

Distortion is shown for the given focal distances or magnifications. Positive values indicate pincushion distortion and negative values barrel distortion.

— $\beta' = 0.0000$ $u'_{max} = 13.9$ $00' = \infty$



TRANSMITTANCE

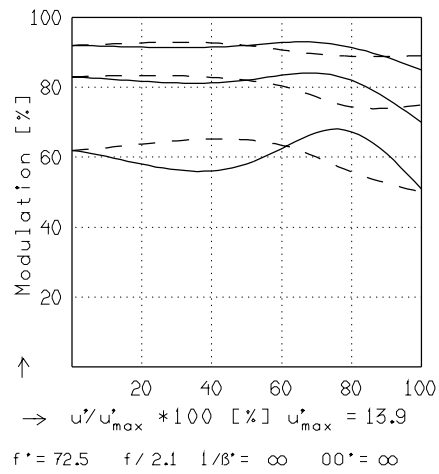
Relative spectral transmittance is shown with reference to wavelength.

CL 2.0/72.5MM

MODULATION with reference to the relative image height

Wavelength λ	[nm]	546	644	610	570	510	480
Spectral weighting	[%]	28.3	4.5	17.8	29.4	16.0	4.0
Spatial frequency R	[1/mm]	20	40	80			
Format	[mm X mm]	18.0	X	21.3			
Diagonal $2u'$	[mm]	27.7					

radial —
 tangential - -



Focusing : MTF_{max} at $f / 2.0$, $R = 80$ 1/mm, $u'/u'_{max} = 0$